

# Technical Information

Subject to change [28-Aug-2002, 8SPM-pf, Version 1.2]

---



---

## Transportable Communication System R&S TMS-C

For stationary and mobile remote-controlled use

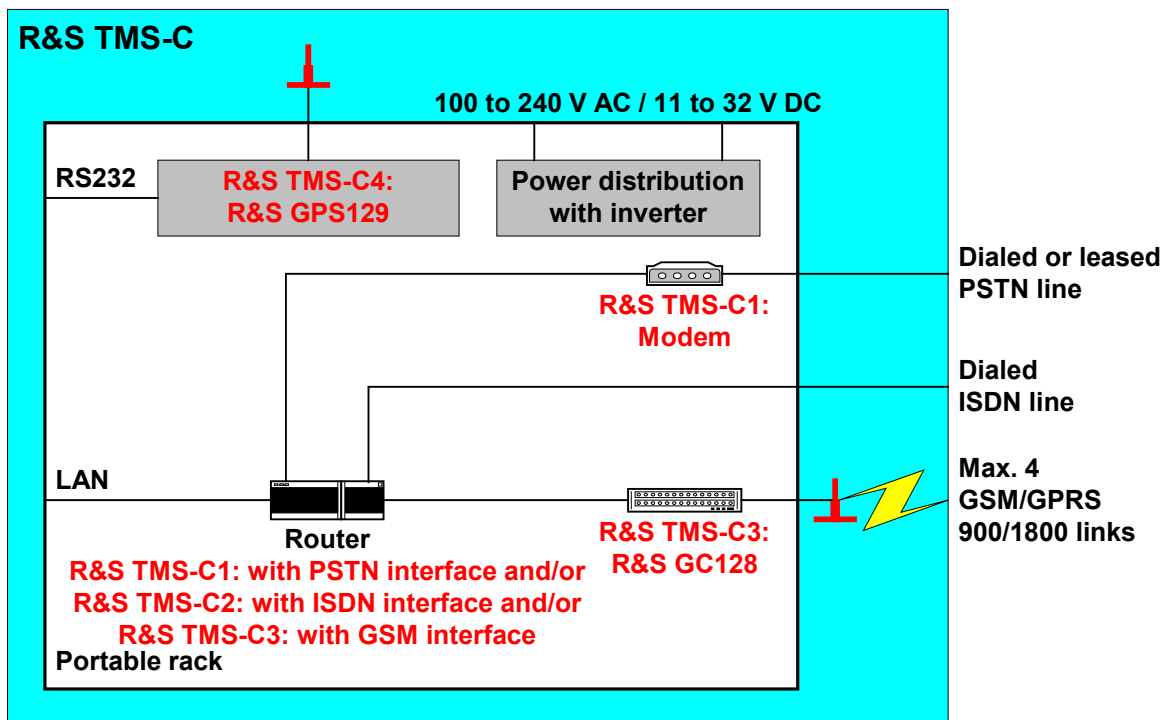
- ◆ Integrated equipment for network connections in a portable rack
- ◆ Compact and cost-effective
- ◆ Different power supplies available:  
100 V to 240 V AC or 11 V to 32 V DC
- ◆ Can easily be carried by two persons
- ◆ Quickly ready for use because of the very short setup time
- ◆ Can be operated up to 24 hours per day
- ◆ Controlled via Monitoring Software R&S ARGUS

## Overview

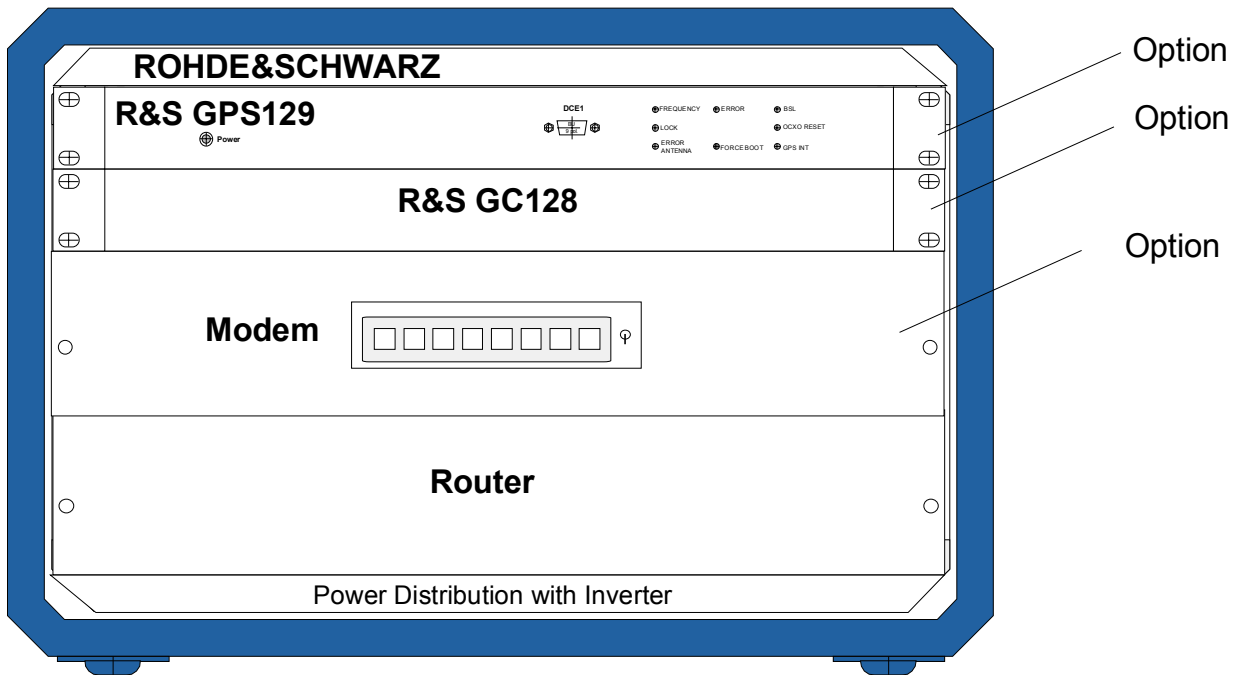
The Transportable Communication System R&S TMS-C can integrate equipment for network connections via a PSTN line and/or an ISDN line and/or up to four GSM/GPRS 900/1800 links in a portable rack. In addition it can integrate a R&S GPS129 for automatic determination of the system location and for the reference frequency.

R&S TMS-C consists of the following commercial-off-the-shelf components:

- ◆ Router
- ◆ Power distribution with inverter
- ◆ Portable rack
- ◆ Option R&S TMS-C1: Modem and interface for the router for network connection via dialled or leased PSTN line
- ◆ Option R&S TMS-C2: Interface for the router for network connection via dialled ISDN line
- ◆ Option R&S TMS-C3: Communication Unit R&S GC128 and interface for the router for network connection via a GSM/GPRS 900/1800 link (As options: three additional GSM modules within R&S GC128 for channelling)
- ◆ Option R&S TMS-C4: R&S GPS129 with R&S ARGUS device driver R&S GPS for automatic determination of the system location and for the reference frequency



Blockdiagram of R&S TMS-C with all options



Front view of R&S TMS-C with options

## Hardware components

For detailed information about the hardware please refer to the following datasheets or technical informations:

- ◆ Data sheet R&S GC128
- ◆ Technical Information R&S GPS129

## Further information

Further information on the R&S ARGUS system family is available on the Internet at [www.argus.rohde-schwarz.com](http://www.argus.rohde-schwarz.com), or from your local Rohde & Schwarz representative.

Information can also be obtained by e-mail to [argus@rohde-schwarz.com](mailto:argus@rohde-schwarz.com).

## Specifications

### General data

Operating temperature range	-10°C to +45°C with option R&S TMS-B4: -10°C to +50°C
Storage temperature range	-40°C to +70°C
Humidity	80% cyclic, +25°C/+40°C
Sinusoidal vibration	5 Hz to 150 Hz
Random vibration	10 Hz to 500 Hz
Shock	40 g shock spectrum
EMC	meets EMC directive of EU (89/336/EEC) and German EMC law
Safety	meets EN60950 / VDE0805
Quality standard	developed and manufactured in compliance with ISO 9000
Power supply	100 to 240 V AC / 47 Hz to 63 Hz / 235 VA 11 V to 32 V DC / 200 W
Dimensions (W x H x D) (box)	555 mm x 358 mm x 720 mm 484 mm x 89 mm x 495 mm (overall)
Weight	?? kg

## Ordering Information

### Basic version

Transportable Communication System for R&S TMS200 / TMS210 Router, power distribution, inverter and portable rack	R&S TMS-C	3026.4919.02
---	-----------	--------------

### Options

PSTN Network Connection for R&S TMS-C Interface for router and modem for network connection via analog dialled or leased line	R&S TMS-C1	3026.7760.02
ISDN Network Connection for R&S TMS-C Interface for router for network connection via dialled ISDN line	R&S TMS-C2	3026.7818.02
GSM Network Connection for R&S TMS-C Interface for router and R&S GC128 for network connection via GSM/GPRS 900/1800	R&S TMS-C3	3026.7860.02
R&S GPS129 and R&S ARGUS Device Driver GPS for R&S TMS-C	R&S TMS-C4	3026.7918.02
Front and Rear Cover for portable rack with opening for cables and fan for R&S TMSx	R&S TMS-B4	3026.7660.02

